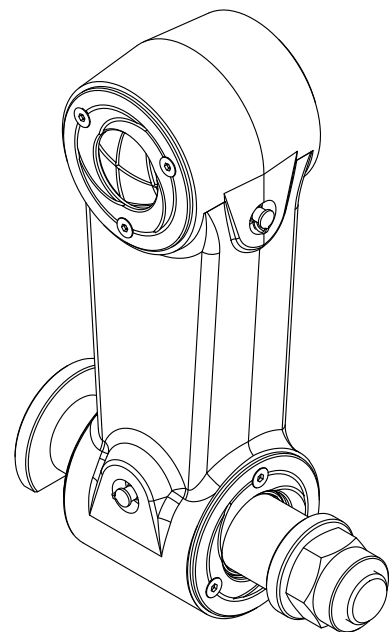
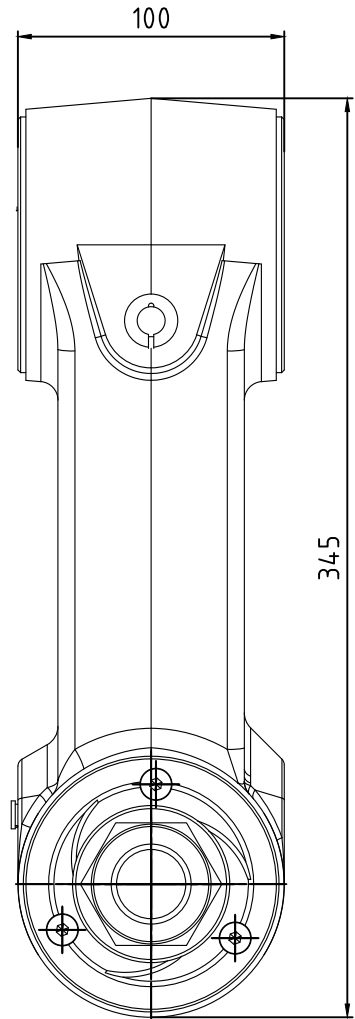
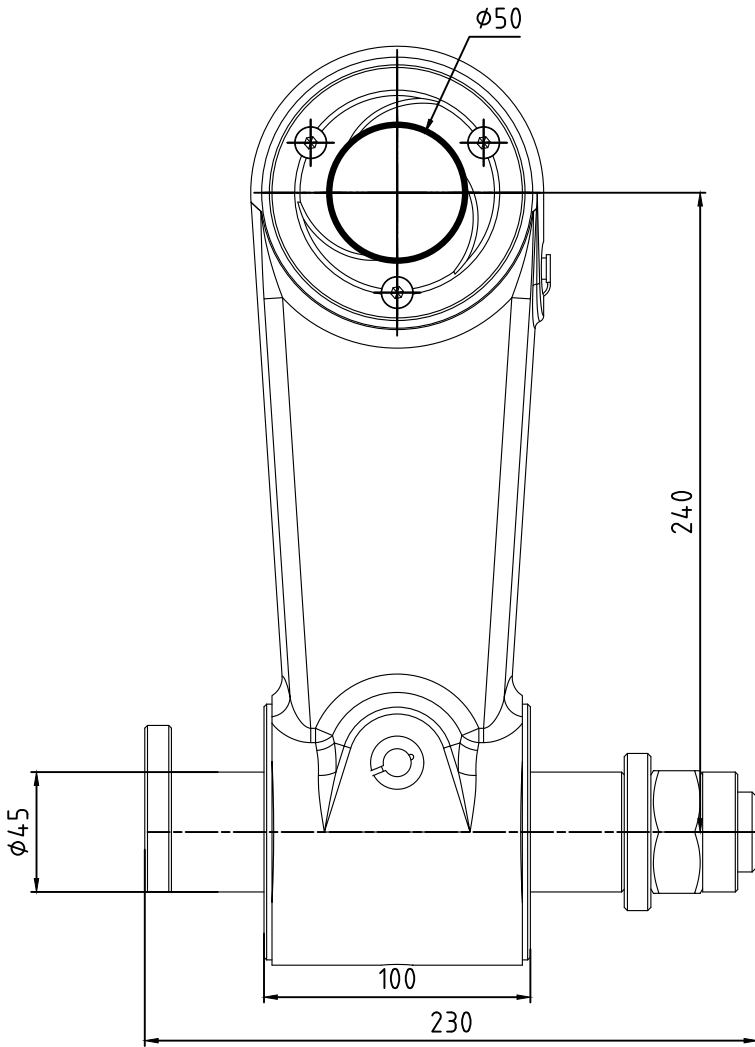


L3-50



Max axial load static
Max axial load dynamic
Weight

160 KN/35969 lbf
80 KN/17985 lbf
22 kg/49 lb

RIMA

Xibeiyu Industry Zone, Laizhou, Shandong, China
Tel:+(86)-186 6387 9840 Fax:+(86)-535-6805690
E-mail:info@rimamach.com