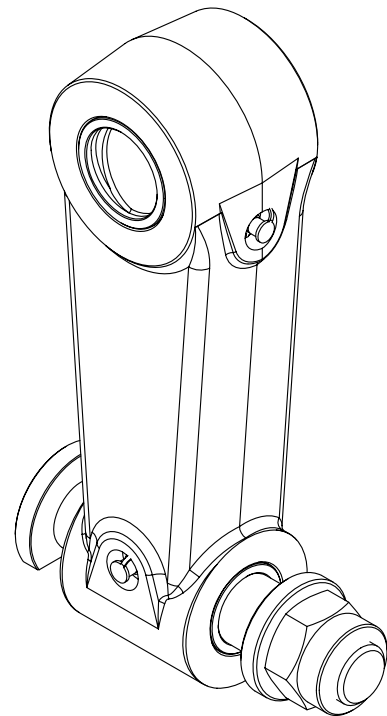
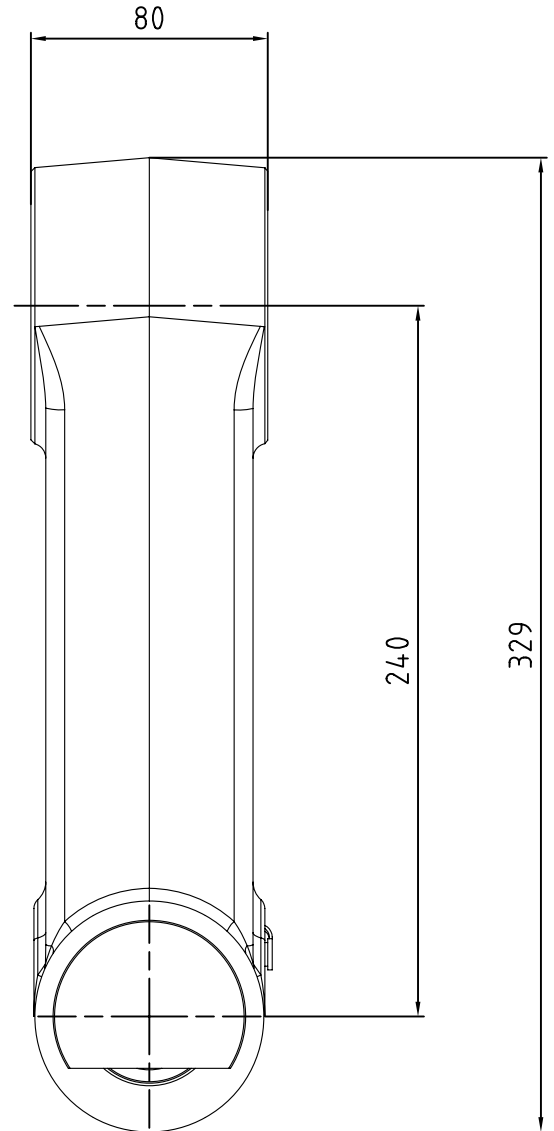
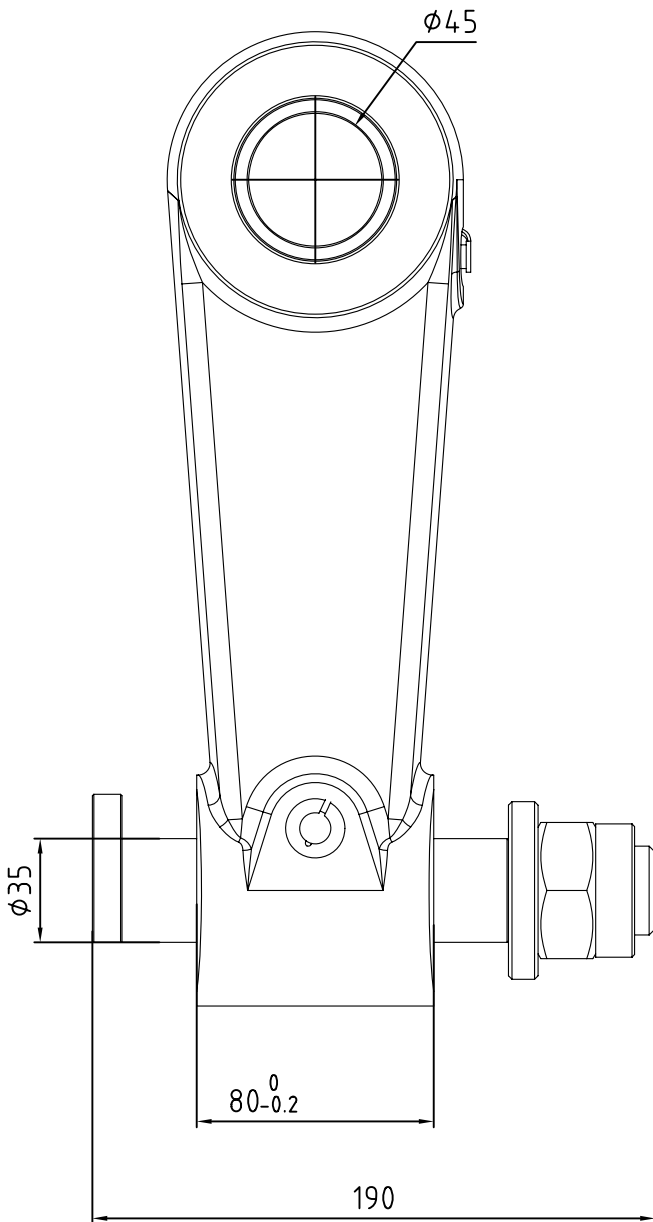


# L2-45



Max axial load static  
Max axial load dynamic  
Weight

100 kN / 22481 lbf  
50 kN / 11240 lbf  
20 kg / 44 lb