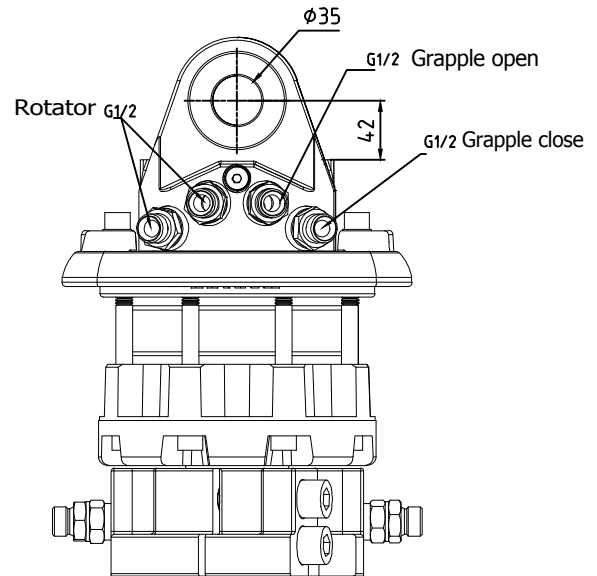
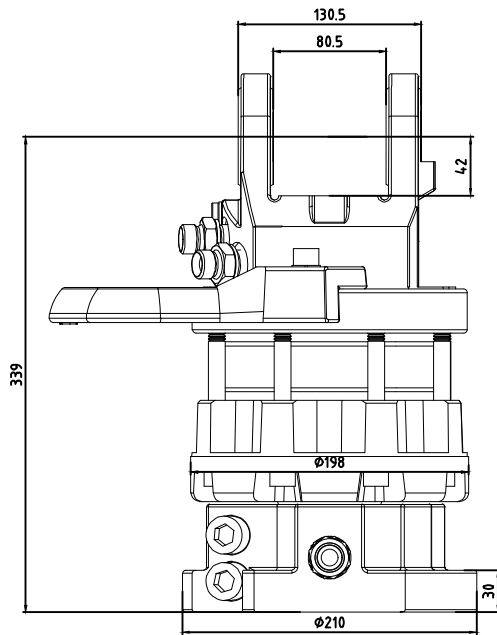
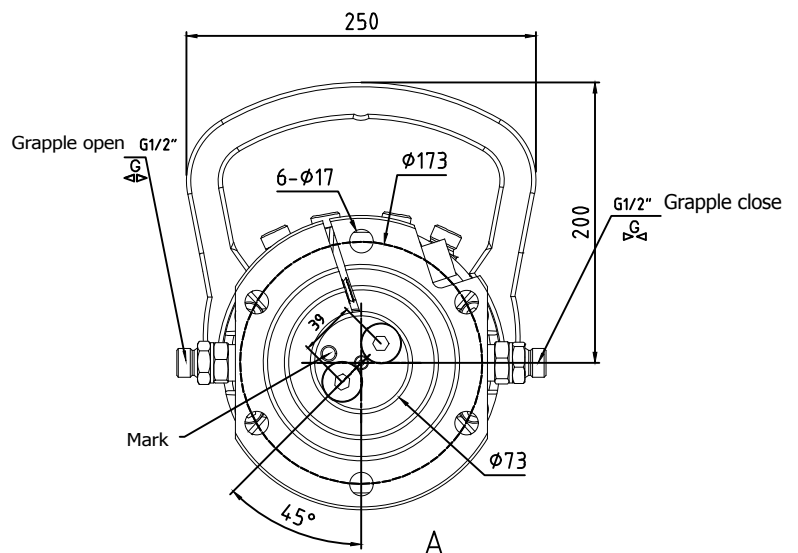
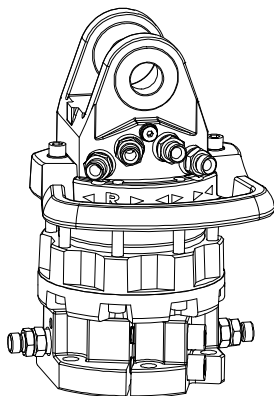


ROTATOR GR-60FD



↑ A



Technical data

Rotation :		Unlimited
Max axial load static,KN:		60
		-50
Max axial load dynamic,KN:		30
		-25
Torque (25MPa) ,Nm:		1800
Rated displacement,ml/r:		678
Weight,Kg:		60
Max working pressure		Connection
Rotator :	←R→ max 25MPa	G1/2"
Grapple/Tool open :	←G→ max 20MPa	G1/2"
Grapple/Tool close:	→G← max 30MPa	G1/2"

RIMA

Xibeiyu Industry Zone, Laizhou, Shandong, China
 Tel:+(86)-186 6387 9840 Fax:+(86)-535-6805690
 E-mail:info@rimamach.com