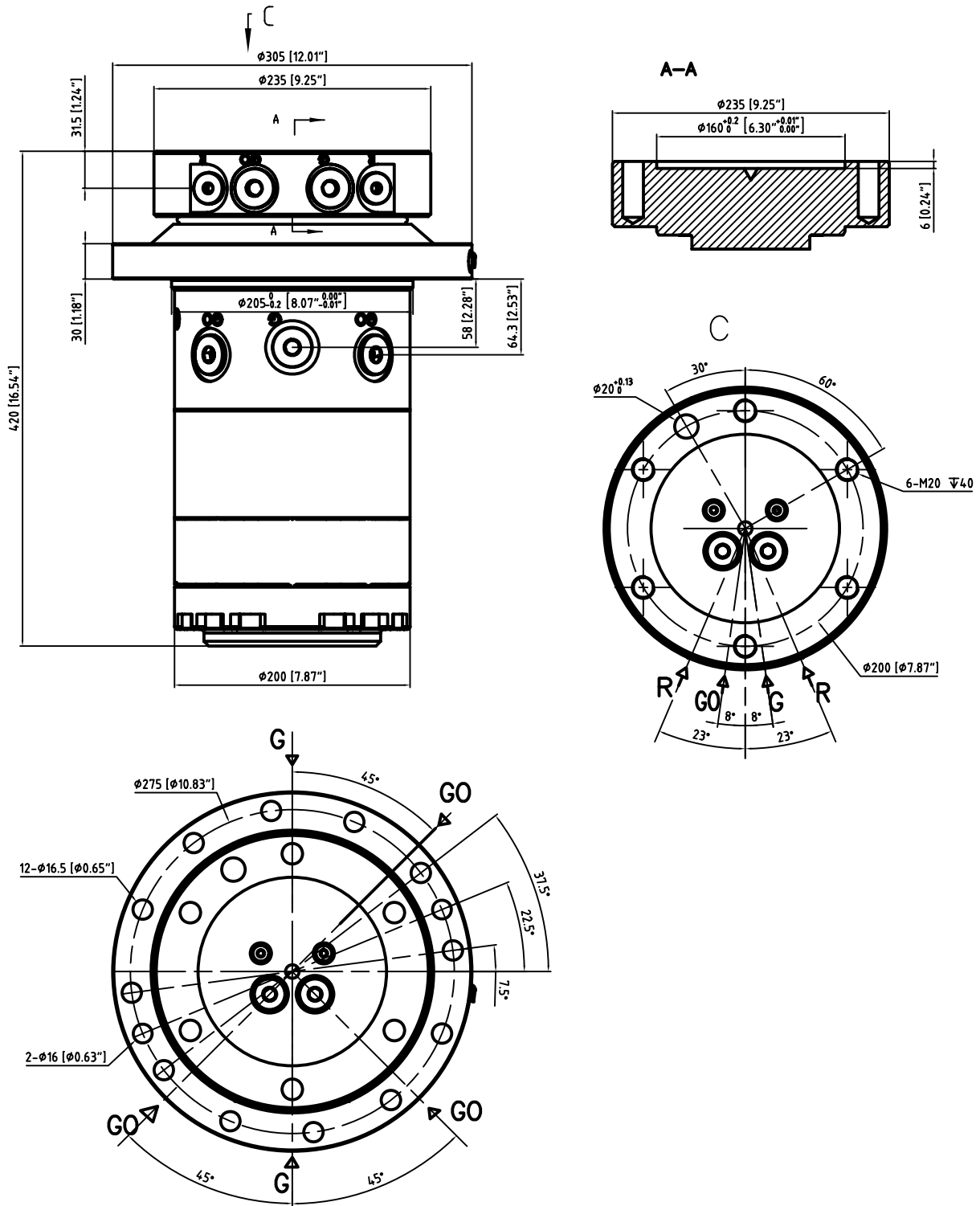


ROTATOR IR-12



Technical data

Rotation :	Unlimited
Max axial load static,KN:	± 250
Max axial load dynamic,KN:	± 70
Torque (21 MPa) , Nm:	2800
Rated displacement,ml/r:	1098
Weight,Kg:	102

Rotator :	R	UNF 7/8-14
Grapple/Tool open :	GO	UNF 11/16-12
Grapple/Tool close:	G	UNF 11/16-12